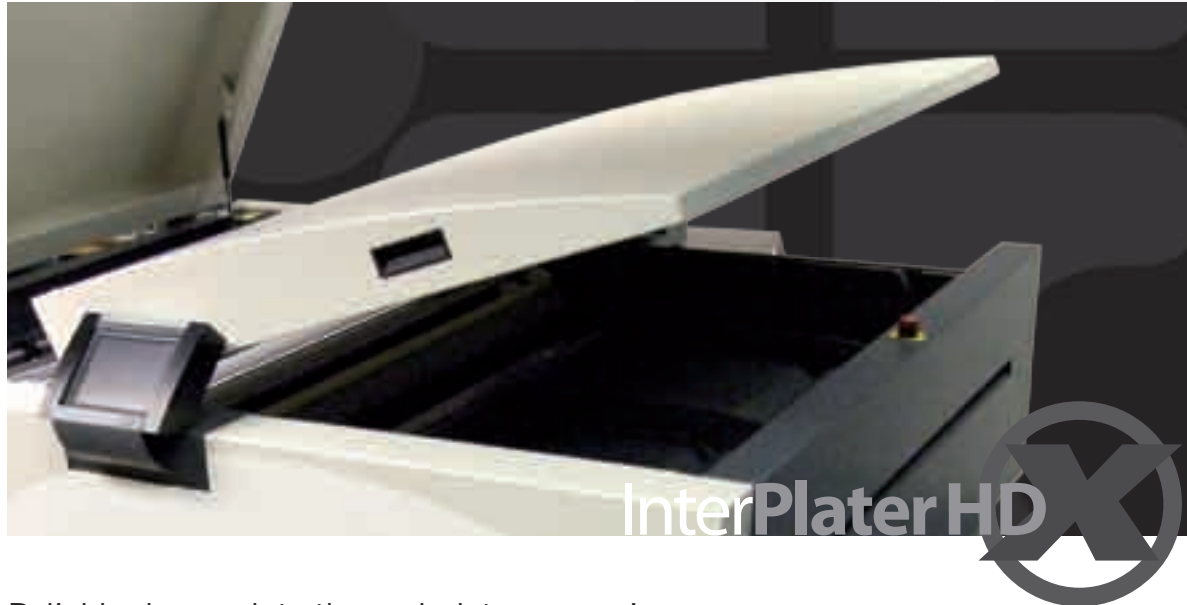


# InterPlater 85/125/150T HDX



## Reliable, heavy-duty thermal plate processing

InterPlater 85/125/150T HDX is our new high-end thermal plate processor generation – targeted directly at the high-end commercial printing market with production up to 60,000 m<sup>2</sup>/year.

We have added innovative features that enable even higher quality and productivity for the high-end commercial market. The processor generation is designed to meet the specific requirements of today's thermal CtP plates and platesetters from all major manufacturers.

InterPlater 85/125/150T HDX is the reliable thermal CtP processor that supports high-end commercial applications and integrates the latest principles of thermal plate processing. These elements perfectly match the high demands of quality and precision in the entire printing process.



### User-friendly control panel

Precise handling is the key to high productivity and good results. The InterPlater HDX is easy to operate with its graphical touch screen and logical menu. Furthermore you can install the native language (optional) and gain full control via Remote Enabling System (optional).



### High processing speed and quality

Redesign of the development section has improved the performance of the processor as well as the development quality. With a productivity of +300 pph and a linear speed of 2.2 m/min the processor matches the performance of the fastest setters.



### Easy access and handling

Easy-lift top cover provides access to brush, rollers, spray bars and guides, and they are replaced in minutes – without the use of tools and without the need to re-calibrate brush and roller. Brush and roller position is indicated by a unique label. Needless to say this is a dramatic service improvement and a great reduction of down-time.



### One drawer with all electrical parts

All main electrical control boards and power supply have been conveniently collected in one drawer under the processor. Safely stored away from liquids during normal operation, but pull the drawer and you will have good visibility and access to all electrical components.

# Technical specifications

## InterPlater 85/125/150T HDX



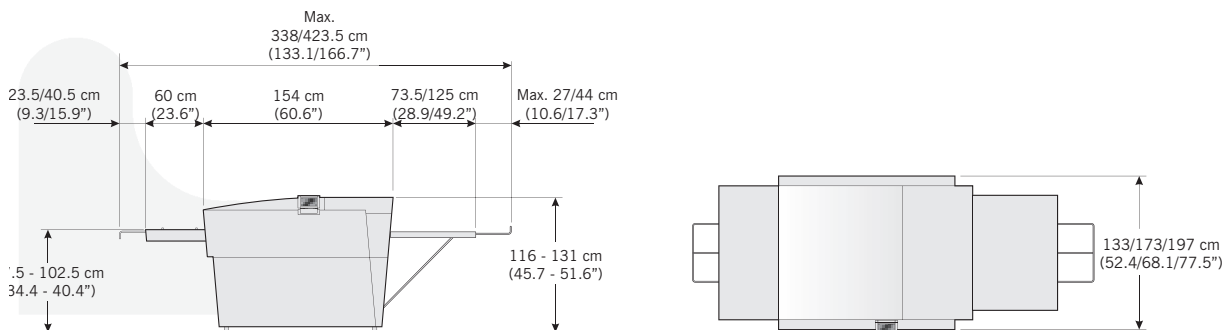
Shown with additional options

Materials	Positive and negative CTP thermal plates or conventional plates
Material width, max	850 mm (33.5") / 1250 mm (49.2") / 1500 mm (59.1")
Material length, min	285 mm (11.2")
Material thickness	0.15-0.40 mm (0.006-0.016") / 150: 0.15-0.50 mm (0.006-0.02")
Processing speed	85: 40-220 cm (15.7-86.6") /minute $\pm$ 5% 125: 40-180 cm (15.7-70.9") /minute $\pm$ 5% 150: 40-180 cm (15.7-70.9") /minute $\pm$ 5%
Tank content, developer	54 l (14.3 US gal) / 79 l (20.9 US gal) / 95 l (25.2 US gal)
Tank content, wash	14 l (3.7 US gal) / 20.5 l (5.4 US gal) / 23.5 l (6.2 US gal)
Tank content, gum	3.5 l (0.9 US gal) / 4.2 l (1.1 US gal) / 6.6 l (1.7 US gal)
Adjustable temperature, developer	18-35°C $\pm$ 0.5°C (64-95°F $\pm$ 0.9°F) *Glunz & Jensen recommends a cooling unit
Adjustable temperature, dryer	30-55°C $\pm$ 0.5°C (86-131°F $\pm$ 0.9°F)
Area replenishment amount	0-250 ml/m <sup>2</sup> $\pm$ 5% (0-0.066 gal/m <sup>2</sup> $\pm$ 5%)
Water consumption	Adjustable max 10 l/min (2.6 US gal) (can be reduced by optional kit)
Water consumption with optional kit	@ 1000 ml/m <sup>2</sup> plus daily replacement
Power consumption, stand-by	0.5 kW / 0.5 kW / 0.5 kW
Power consumption, operate	1.9 kW / 2.0 kW / 2.0 kW 230 / 400 V, 3-phase, 50-60 Hz
Power consumption, max.	4.7 kW / 5.1 kW / 5.1 kW 230 / 400 V, 3-phase, 50-60 Hz
Weight, crated	600 kg (1,323 lbs) / 800 kg (1,764 lbs) / 850 kg (1,870 lbs)
Weight, uncrated	400 kg (882 lbs) / 600 kg (1,323 lbs) / 650 kg (1,430 lbs)
Dimensions, crated	85: L: 1872 mm (73.7"), W: 1492 mm (58.7"), H: 1500 mm (59.1") 125: L: 1872 mm (73.7"), W: 1892 mm (74.5"), H: 1500 mm (59.1") 150: L: 1872 mm (73.7"), W: 2202 mm (86.7"), H: 1500 mm (59.1")
Approvals	UL, c-UL and GOST-R certified. Complies with CE standards.

**Standard equipment:** Dip tank with anti-oxidation lid, fully automatic replenishment system (m<sup>2</sup>), developer circulation and filtration (150 micron), minimum plate length 285 mm to support 46" web, wash section, integrated water drain manifold, gum section with automatic cleaning, easy lift top cover, graphical finger touch control panel, remote enabling system (3 months trial period), installation kit, user manual on CD, 'Golden Rules of Maintenance', emergency stop, safety switch (GFCI)

**Optional accessories:** Conductivity read-out, application specific brush configuration incl. software settings, closed stand, cooling unit - standard or high capacity 50/60 Hz, container level probes, drip tray, delivery table, extension of feed table, feed table, 44" web reduction kit, filter - 150 micron reusable, hand shower for cleaning, interface flat front, on-line interface to most setters, operator panel - left, pump - quick fill 10-12 l/2.6-3.2 gal/min, re-entry facility (wash/gum/dry), remote enabling system (full), USB memory stick, integrated water saving

Standard configurations may vary in the market. Specifications are subject to changes without prior notice.



# GLUNZ & JENSEN

PLATE PROCESSORS

Headquarters:  
Glunz & Jensen A/S  
Haslevvej 13  
DK-4100 Ringsted  
Denmark  
Tel. +45 57 68 81 81  
Fax +45 57 68 83 40  
E-mail: gjhq@glunz-jensen.com  
Internet: www.glunz-jensen.com

USA Operations:  
Glunz & Jensen, Inc.  
21405 Business Court  
Elkwood, VA 22718-1757  
USA  
Tel. +1 540 825-7300  
Fax +1 540 825-7525  
E-mail: usva@glunz-jensen.com